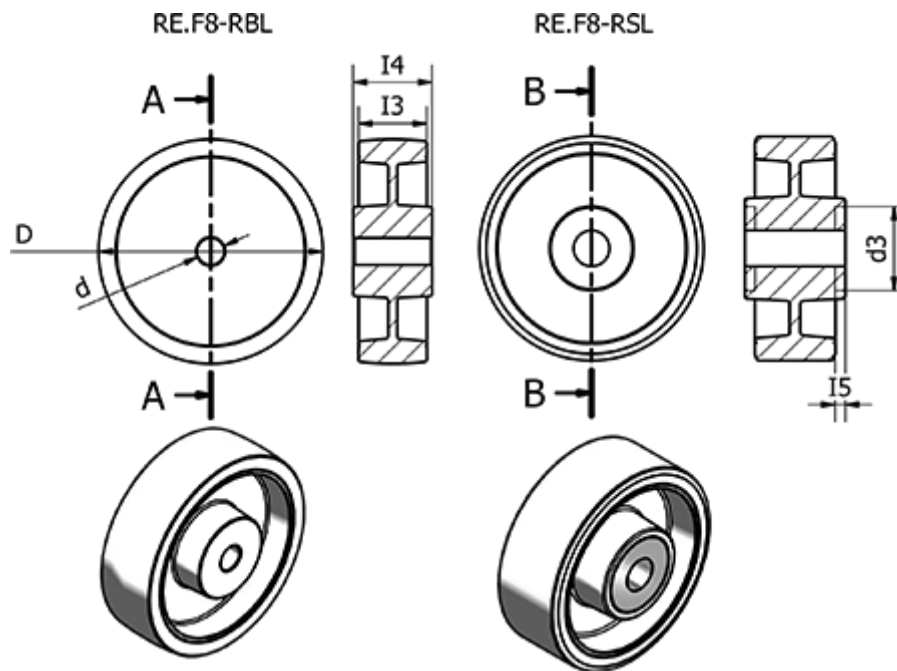


Article number: 2314450521

Description: E+G polyamide wheel  
RE.F8-150-RBL - loose wheel in polyamid

## Measures



Code	= -	Rolling resistance (N)	= 2500
d	= 150	Static load	= 6000
d3	=	Type	= RE.F8-150-RBL
Dynamic carrying capacity (N)	= 5000	Wight (g)	= 340
I3	= 45		
I4	= 58		
I5	=		